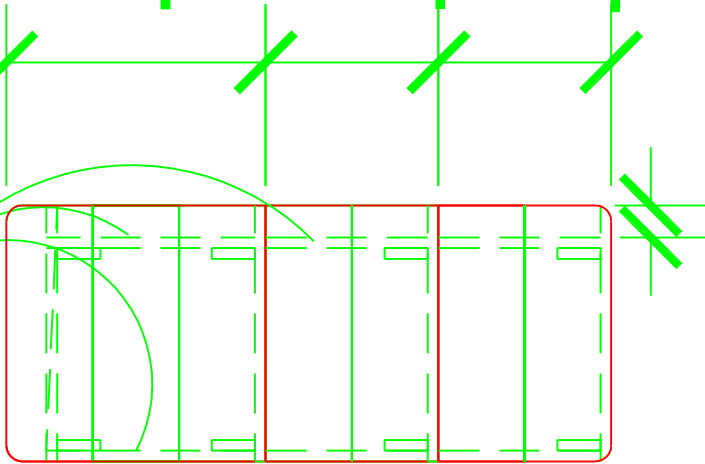


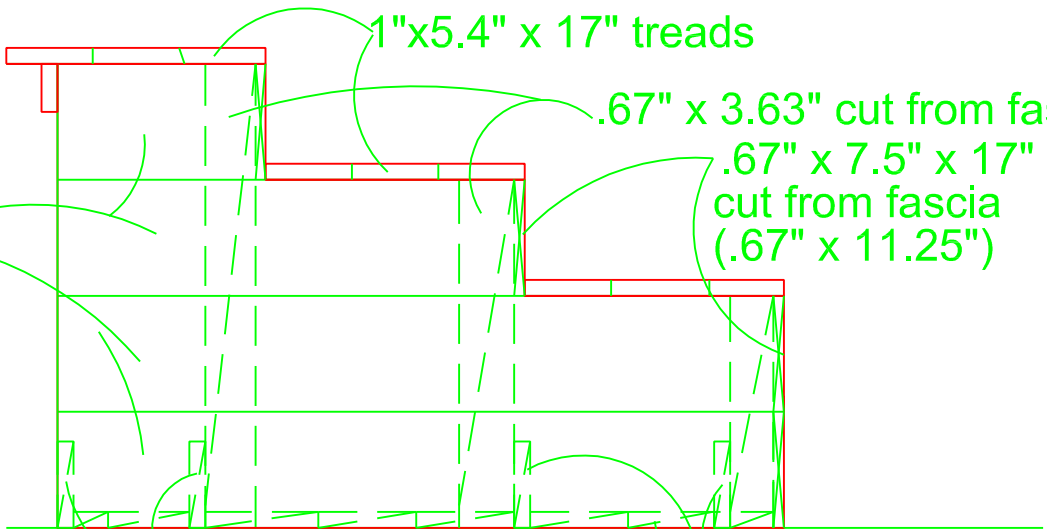
1'-4 $\frac{1}{4}$ " 10 $\frac{3}{4}$ " 10 $\frac{3}{4}$ "

.67"x7.5"
tread supprts



2"

.67" x 7.5"
tread supprts



1"x5.4" x 17" treads

.67" x 3.63" cut from fascia

.67" x 7.5" x 17" risers
cut from fascia
(.67" x 11.25")

1" x 5.4" bottom blks

1"x5.4" blks to hold river
rocks in the bottom tray

rip as req'd

STEPS

1"=1'-0"

7/26/22